

neway™

mobile audio-visual solution in vehicle



Neway Industrial Limited © All Rights Reserved

**CL7718T
USERS' MANUAL**



Update informaion in the website
[Http://www.NewayE.com](http://www.NewayE.com)

DEAR CUSTOMERS

Thank you for purchasing the full-channel liquid crystal TV. This product employs new integrate circuits (I²C Bus) and high quality TFT LCD modules. It is putting out with its low power consumption, stable quality, no X-ray radiation and other advantage characteristics. This product is shaped with modern style and is easy to be carried with. The color LCD TV set is the most suitable display for cable monitor system, car VCD and GPS system for motorcars and ships. We hope that you will have the enjoyment of your new mini color TV set.

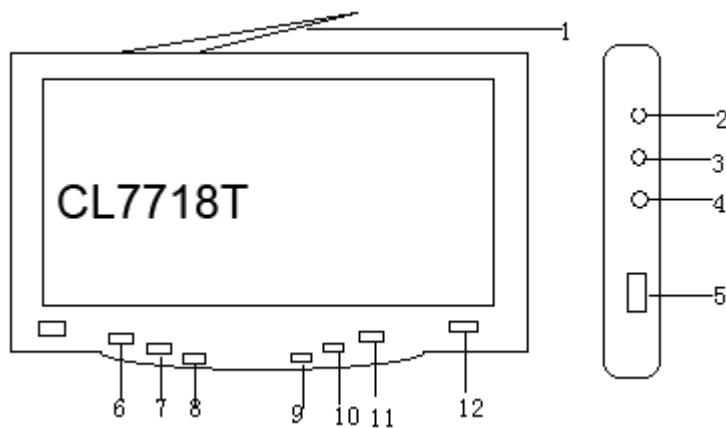
To ensure the best use of the unit, please read this handbook carefully beforehand.

NOTICE

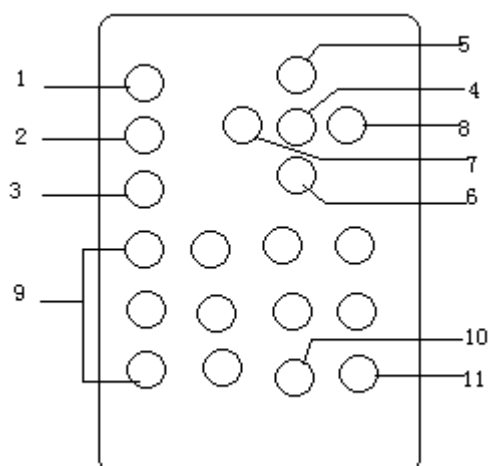
- 1. Please use the adapter attached in the accessory.**
- 2. Do not remove the rear panel of this product. If in need of service please call a qualified technician.**
- 3. Do not expose this product to direct sunlight, heat or humid conditions.**
- 4. Keep away from strong light while using this product so as to obtain the clearest and the most colorful picture.**
- 5. Avoid heavy impact or drop onto the ground.**
- 6. Do not use chemical solutions to clean this unit. Please simply wipe with a clean soft cloth to keep the brightness of the surface.**

CONTANTS

1. FESTURE -----
2. REMOTE CONTROLLER (MONITOR) -----
3. MATCHED CABLE-----
4. CONNECTION OF CABLE -----
5. MENU OPERATION -----
6. PARAMETER -----
8. ACCESSORIES -----
9. TROUBLESHOOTING-----



- ①Antenna rod
- ②ANT: External antenna jack
- ③ERA: Earphone jack
- ④POW:DC12Vpower input jack
- ⑤A/V:A/V input jack
- ⑥MENU: Activate the OSD menu
- ⑦_:Volume decrease or to adjust the value of selected function on OSD menu;
also used to select the item on the menu.
- ⑧+: Volume Increase or to adjust the value of selected function on OSD menu;
also used to select the item on the menu
- ⑨CH-: Program selection key or to select item on the menu
- ⑩CH+: Program selection key or to select item on the menu
- 11A/V: To switch between the TV signal and AV signal.
- 12POW: Power on/off/standby



- ①POWER :on /off /standby
- ②MUTE: Press this button to close the sound, press it again to return the sound
- ③AV/TV: To switch between the TV signal and AV signal
- ④MENU: Activate OSD menu,
- ⑤ CH+: Program selection key or to select item on the menu
- ⑥I CH-: Program selection key or to select item on the menu
- ⑦v-: Volume decrease or to adjust the value of selected function on menu; also used to select the item on the menu.
- ⑧v+: Volume Increase or to adjust the value of selected function on menu; also used to select the item on the menu.
- ⑨Number buttons
- ⑩-/-:Unit/decimal/percentile
- 11I.WIDE: Switch the display mode of image between 16:9and 4:3

INSTALLATION

Open the shipping carton and check the package content if any items are damaged or missing please contact us immediately

The package should include the follow items:

- Remote controller
- AV cable
- Power adapter
- Bracket
- TV signal connector
- DC 12v car power cord
- Manual

Connection

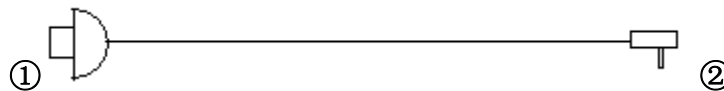
1. Matched cable

SERIES 1



- 1:A/V signal input plug ,put the plug in the A/V input jack
- 2:Yellow plug for video signal 1input
- 3:Red plug for video signal 2input
- 4.White audio signal input
- 5.Black jack DC12v POWER INPUT

SERIES 2



- 1:Connect the external ANT or CATV signal
- 2:Plug in the external antenna jack of the unit for TV signal

Connection

Firstly put the A/V signal input plug of series 1 in the A/V input jack at the back of the unit ,then connect the other of series 1 to the related signal (yellow plug for video signal 1 Red plug for video signal 2 Black jack for DC12V power).

NOTE : the unit only for DC12V,you can transform the city electricity to DC12V with the AC adapter enclosed .Or you can select to use the output voltage is DC12V car or ship power supply and make sure the power consumption is 15 watt.

Secondly put the black ① of series 2 in the out ANT or CATV signal then plug the ② of series 2 in the external antenna jack of the unit for TV signal.

Operation

After connection ,the unit will be in standby state ,press “pow” of the unit or “power” of the remote controller ,the unit begins to work .Press the button again the unit will return to standby state .

When the unit works ,you can press Av on the unit or TV/AV on the remote controller to switch signal inputted between video1,video2 and TV.You can

adjust the length ,angle or direction of the antenna rod to get the best TV signal when you are receiving the TV .If the TV signal is poor you had better use an external antenna or connect the unit with CATV.(connect it as mentioned above)_

1. SELECT THE LANGUAGE OF OSD MENU

Activate the OSD menu by pressing the 'MENU' on the unit or the 'MENU' on the remote controller then press '- / +' on the unit or the "V-/V+" on the remote controller to choose the "SETUP" item. then the secondary menu will appear as follows'

S	LANGUAGE	ENG
E	BACKGROUND	ON
T	MODE	1
U	UV REV	ON
P	RL REV	ON

LANGUE: The language of the OSD menu.

BACKGROUND: When there is no signal the background will be blue. MODE: The display mode .UV REV & RL REV :To make the image up and down reverse or left and right reverse.

Select the LANGUAGE by pressing" CH-/CH+" on the unit or on the remote controller ,the selected character will turn red.

then press the -/ + on the unit or V-/V+ on the remote controller to choose the language you need, such as : Chinese, English, Russian , German or Arabic . later you can press CH-/CH+" on the unit or on the remote controller again to select other function to adjust, after that confirm it by pressing MENU

2. AUTO-SEARCH SYSTEM AND CHANNEL SELECTION

Auto-search function search and record the program channel according to the TV program's sequence automatically. At first press MENU button to activate the OSD menu , then press -/ + or V-/V+ on the unit or on the remote control to choose the TUNE item, then press CH-/CH+ to select AUTO INSTALL, the character turns red.

Secondly, confirm by pressing the -/ + on the unit or the V-/V+ on the remote controller, at this moment the TV will search and record the program channel according to the TV program's sequence automatically. (Remark: while the TV is searching automatically, it is in a mute state.)

T	C - SYS	AUTO
U	S - SYS	D / K
N	CHANNEL	0
E	AUTO INSTALL	⇒
	SEARCH	

3. MANUAL SEARCH SYSTEM

The users can store their favorite TV program to their favorite number by manual search system, also can avoid t the cross interference.

Program number setup

To setup the program number you can you use the number keys on the remote controller and '-/--' . You can set number28 by press '-/--'one time then input 2and 8,if the number is 213 you should press '-/--'twice then input 2,1,and3.Or you can use CH-/CH+ for the

T	S - SYS	D / K
U	CHANNEL	0
N	AUTO INSTALL	⇒
E	SEARCH	⇒
	BAND	VHF - L

desire numbers. You also can activate the MENU then press- / + on the unit or the V-/V+ on the remote controller to choose TUNE item , then select “CHANNEL ”function by press CH-/CH+” on the unit or on the remote controller ,and then to set up the program numbers .

Manual search:

After activating the MENU select the TUNE item, press CH-/CH+” on the unit or on the remote controller to select the BAND function and then press - / + on the unit or the V-/V+ on the remote controller to choose the band you desired (VHF-L,VHF-H,OR UHF) after that press “CH+” to select“ SEARCH” , then press either “-” on the unit or V- on the remote controller to search the lower channels ; Or press “+” on the unit or V+ on the remote controller to search the higher channels. The TV will automatically stop searching when there was a TV program searched and stored, press MENU button to confirm.You can repeat the operation as mentioned above to search other programs.

4.FINE TUNE

The fine tune function is use to correct the weak signal or the nonstandard TV signal that’s stored.

1. Press MENU button to activate the menu, and with the help of “-/+” or “V-/V+” on the remote control to choose the “TUNE” item.
2. Press “CH-/CH+” button to choose the FINE TUNE function (The character of FINE TUNE turns red)

Press “- “ on the unit or V- on the remote controller for the lower limit fine tune and press “+” on the unit or V+ on the remote controller for the higher limit fine tune, during fine tune process, the relative button should be kept pressing until the good result received, then release it.

T	CHANNEL	0
U	AUTO INSTALL	
N	SEARCH	
E	BAND	VHF - L
	FINE TUNE	⇒

5.SKID

When you feel that there are some repeated TV programs or the image and audio founded not good, so you need to skip some program and quick to select, you can operate as follows:

Use the CH-/CH+ button to choose the channel numbers or you can just use the “-/--“ button and numbers keys on the remote controller to set the channel numbers that you want to skip.

To select the SKID function as FINE TUNE mentioned above. Then pressing “-/+” on the unit or V-/V+ on the remote controller to make SKID ON and it will work.(Remark: Skip function only work when choosing the program in sequence by using the program selection button of CH-/CH+).

T	SEARCH	
U	BAND	VHF-H
N	FINE TUNE	
E	SKIP	ON
	PG EXCHANGE	

6 PG EXCHANGE

The program exchange function is use for change the program number stored to your new favorite number.

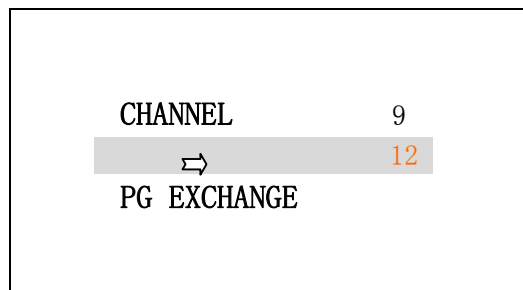
Press MENU button to activate the main menu, and press “-/+” on the unit or V-/V+ on the remote controller for TUNE item., then press CH-/CH+

T	SEARCH	
U	BAND	
N	FINE TUNE	
E	SKIP	
	PG EXCHANGE	⇒

on the unit or on the remote controller to select PG EXCHANGE function.

press “-/+” button on the unit or V-/V+ on the Remote controller, and the screen will appear as the image

When CHANNEL is red, use “-/+” on the unit or V-/V+ on the remote controller to select the program numbers that have been stored ,then press CH-/CH+ select ⇔ and it will turn red as the picture showed.. Then use the -/+ button or V-/V+(on the remote controller) to set the number you want to change for, and then select PG EXCHANGE by pressing CH-/CH+ again and confirmed by pressing -/+ or V-/V+ button on the remote controller .After that you can press menu to exit it.



7. PROGRAM SELECTION

If you want to select the program when you watch TV, pls operate as the following steps :

Program selection button CH-/CH+ on the unit or on the remote controller is to select the program in sequence, the number buttons on the remote controller also can be used.

There are numbers from “0-9” and unit/decimal/percentile(-/--) selection buttons on the remote controller .You can press the -/-- selection button to switch the state between unit ,decimal and percentile . (The TV can store 256 TV programs).When you want to input unit number, simply press “0-9” button, if you input decimal number, you can choose program from “0-99”. For instance :for NO. 28 program, just press once “-/--“ button and then input “2” and “8”. When you choose to input percentile numbers, press”-/--“ button twice and then input the numbers (in the percentile position, only 0, 1, and 2 are available, the input of more than 3 will not be available). Press “-/--“ button again for exit it

8.IMAGE ADJUSTMENT

When the unit is working you can adjust the brightness, contrast, color and volume to your favorite.

Press MENU button to activate menu, and press -/+ or V-/V+ on the remote controller to choose the VIDEO item.

Use CH-/CH+ button to choose the function you want to adjust, the selected function turns red, then press -/+ or V-/V+ on the remote controller to adjust the value of function as your favourite.

Repeat the operation as above mentioned, you can adjust the brightness, contrast, color and sharpness of the image

V	BRIGHTNESS	50
I	CONTRAST	50
D	COLOR	50
E	SHARPNESS	50
O	TINT	00

9.SET UP OF DISPLAY STATE

Entering the main MENU, choose SETUP item by -/+ or V-/V+, then adjust each state as below:

1. Screen background (blue screen)set up: press CH-/CH+ button to choose the BACKGROUND and the characters of BACKGROUND turns red, then press -/+ or V-/V+ button to choose “ON”. (When there is no signal, the background is blue colour).

S	LANGUAGE	ENG
E	BACKGROUND	ON
T	MODE	1
U	UV REV	ON
P	RL REV	OFF

2. Press CH-/CH+ button to choose “MODE” so that you can adjust the display state of screen size. Press -/+ or V-/V+ on the remote controller, when you select “1”, the display state is 16:9 if you choose “2” or “4”, it is 4:3 and choose “3” is 16:9 in full screen display.
Press “WIDE” key on the remote controller , you can switch the image display between 16:9 and 4:3 directly .
3. The unit has the function of image “Up and Down Reverse “ and “Left and Right Reverse” . You can use CH-/CH+ to choose “UV REV ” or “RL REV”, then press -/+ on the unit or V-/V+ on the remote controller to make the image Up and Down Reverse or Left and Right Reverse.

10.PERPETUAL CALENDAR:

Perpetual calendar is set in the unit . Choosing the SETUP item in the main MENU by the help of -/+ on the unit or V-/V+ on the remote controller ,and then press CH-/CH+ for CALENDAR, and then confirm by pressing the -/+ on the unit or V-/V+ on the remote controller, the TV will be in the state of Perpetual calendar , at this time, you can press CH-/CH+ for year selection and press -/+ or V-/V+ for month selection .After that press MENU to exit the function of calendar .

S	MODE	1
E	UV REV	ON
T	RL REV	OFF
U	CALENDAR	
P	GAME	

11.TIMING FUNCTION

There is function of TIMER OFF and TIMER ON , at the TIMER ON position, you can prearrange the certain channel that you want to switch on, you can operation as belows:

1. First press MENU button to enter the main menu and then press -/+ button on the unit or V-/V+ on the remote controller for TIMER item.
2. Press CH-/CH+ button to choose “CLOCK” item, when the CLOCK turns red and you can refer to the current time and set the time by using the button of -/+ or V-/V+ (24 hours system)
3. After setting up the present time, choose ON or OFF by pressing CH-/CH+ button, then using VOL-/VOL+ on the remote controller or -/+ on the unit to set up the

relative time.(timer on and timer off are 24 hours system)

4. If you set up TIMER ON, using CH-/CH+ to choose the prearranged channel and input the channel that you want to prearrange.(Remark: the TV should be at the standby state so that the function of channel prearranged can be applied)

T	CLOCK	--:--
I	OFF	--:--
M	ON	--:--
E	ON CHANNAL	---
R		

12.GAME

This unit has the game of "PUSHING BOX". After entering the state of GAME, Press A/V button on the unit or TV /AV button on the remote controller to select the level of the game. There are 26 game levels for selection. In order to make the character to move, press CH+ button to move upwards, press CH- button to move downwards, Press - to move left, Press + to move right. Press MENU to return the original state of this level. Press MUTE to exit the game. It will make the unit return to the working state that before you entering the GAME function.

parameter

DISPLAY SCREEN	TFT 178mm(7.0") 336960 pixels
COLOR SYSTEM	PAL;NTSC; SECAM
SOUND SYSTEM	B/G;D/K; I; M
RECEIVING CHANNEL	VHF1-12;UHF13-56;CATV(with supplementary channel)
AUDIO OUTPUT	100mV
INPUT VOLTAGE	DC 11-13V POWER CONSUMPTION: ≤9.5W
DISPLAY MODE	4:3, 16:9

PRODUT SPECIFICATION

MODEL	SIZE	WEIGHT
CL7718T	195X128X37(mm)	588g

ACCESSORIES

Remote controller	1 piece
A/V cable	1 piece
Home AC Adapter	1 piece
DC 12V Car power cord	1 piece
Automotive bracket	1 piece
Operation manual	1 copy

TROUBLE SHOOTING

Make sure to the following simple checks when you come across the trouble:

Case(condition)	Possible causes	Countermeasures
No picture and sound After the power is on	1. Check power connection 2. Misuse the pole.	1.Check power input. 2.Correct the pole
Snowy and unclear picture, or noisy sound.	1.Antenna no connection 2.Signal input wire open. 3. Poor local signal 4. Not proper tuning	1.Check antenna input, change into outdoor aerial or CATV cable. 2.Change manual tune or perform fine tuning to the proper frequency.
Level rolling picture, shaking of the tuning line.	1.Input voltage lower than 11V or city voltages lower than AC 200V 2.Not enough adapter output power consumption	1.Adjust the input power DC voltage to the range of 12-15V. 2. Change adapter of power.
No clear image, shaky picture and multiple Figure.	Poor signal or no proper antenna length & angle, no proper direction of outdoor antenna.	Change into outdoor aerial and readjust or had better use CATV cable .
Black & white picture, strong contrast.	Color saturation, contrast and brightness not proper.	Readjust.
Interference with net shape	Interference from outside: Cars/Motorcycles, Radiophone, electric welding	Improve the receiving condition.
Bright and blank screen ,No image display .	Low input voltage of the external power supply ;Low power consumption to cause the machine working not properly.	Check the external power if suit for the requirement for the unit .