

NEWAY™

mobile audio-visual solution in vehicle



**CL9918T
USERS' MANUAL**



Update informaion in the website
[Http://www.NewayE.com](http://www.NewayE.com)

DEAR CUSTOMERS:

Thank you for purchasing the full-channel liquid crystal TV.

This product employs new integrate circuits, high quality TFT LCD modules. It is putting out with its low power consumption, stable quality, without X-ray radiation and other advantage characteristics. This product is shaped with modern style and is easy to be carried with.

The color LCD TV set is the most suitable display for cable monitor system, car VCD and GPS system for motorcars and ships.

We hope that you will have the enjoyment of your new mini color TV set.

To insure the best use of the unit, please read this handbook carefully beforehand.

IMPORTANT SAFEGUARDS AND PRECAUTIONS

- 1. Do not remove the rear panel of this product. If in need of service please call a qualified technician.**
- 2. To prevent unexpected thing happened, don't let children insert something into the unit.**
- 3. Keep away from strong light while using this product so as to obtain the clearest and the most colorful picture.**
- 4. Avoid heavy impact or drop onto the ground.**
- 5. Do not use chemical solutions to clean this unit. Please simply wipe with a clean soft cloth to keep the brightness of the surface.**
- 6. Do not expose this product to direct sunlight, heat or humid conditions.**

If you do not want to use this product for a long time, or thundering time, unplug the power cord and the antenna cable as a safety precaution.

CONTENTS

APPEARANCE

OPERATION

SETTING OF THE DISPLAY

CALENDAR

TIMING FUNCTION

GAME FUNCTION

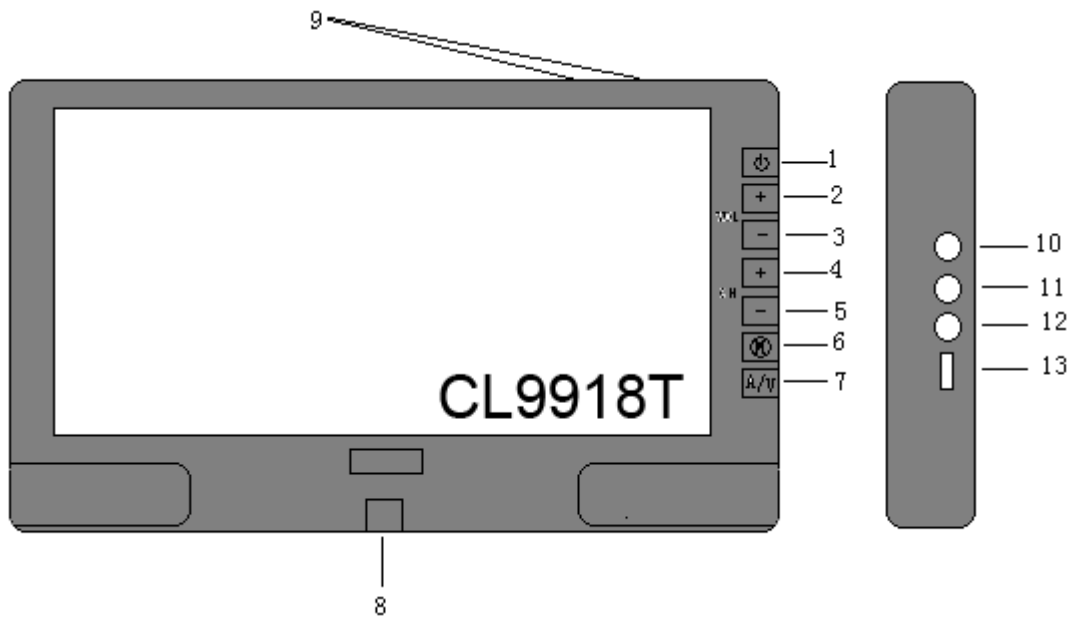
MAIN CHARACTERISTICS

ENCLOSED ACCESSORIES

ADDITIONAL FUNCTION

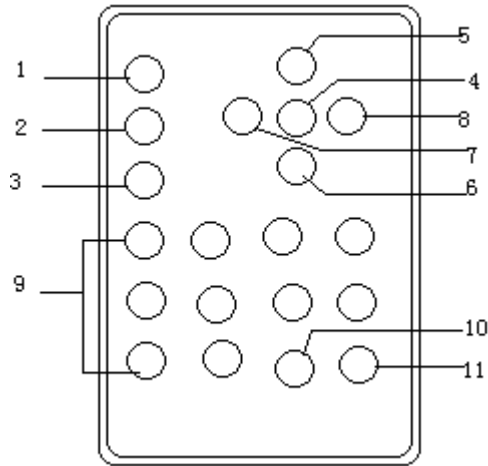
TROUBLESHOOTING

Picture1:



- ① Power on/off.
- ② +: Volume up (in OSD),press this key to turn up the volume and adjust the setting value of menu
- ③ -: Volume down (in OSD),press this key to turn down the volume and adjust the setting value of menu
- ④ CH+: to select the program and the setting object in the menu.
- ⑤ CH-: to select the program and the setting object in the menu .
- ⑥ MENU: Active OSD menu , press this key and select the setting object that want to be adjusted by the help of ② or ③ button.
- ⑦ AV: A/V input
- ⑧ Infrared receiving Window
- ⑨ Antenna rob
- ⑩ ANT: Antenna jack
- ⑪ EAR: Earphone jack
- ⑫ POW: Power 12V input jack
- ⑬ A/V: USB port for A/V signal input

Picture2:



- 1. POWER: on /off/stand by
- 2. MUTE
- 3. AV/TV: AV, AV2 switch
- 4. MENU: To Activate OSD menu,
- 5. CH+: To select item on OSD menu
- 6. CH-: To select item on OSD menu
- 7. V-: Volume down the volume and adjust the setting value of selected function
- 8. V+: Volume up the volume and adjust the setting value of selected function
- 9. Number buttons
- 10:-/-: Unit / double-digit / three-figure (no use)
- 11: WIDE: Switch display mode of 16:9and 4:3

1. OPERATION:

Power On/ Off/ Stand by

(Attention: Make sure the terminal electric poles of the power plug are as follows: the inner pole “+” and the outer “- “)

The input voltage is DC 12V , or you can transform the city electricity to the suitable power supply for the unit through the AC Adapter enclosed . Or you can use the output voltage is DC 12V car or ship power, but the output current should be higher than 1.5 A.

After connecting the power, the TV will be at standby state. Press “POW” button of the unit or “POWER” button of the remote controller, the TV begins to work, press the same buttons again, the TV will return to its standby state. Cut the power input ,and it will withdraw the standby state of the machine .

2. MENU OPERATION:

After connecting, , press the button “MENU” on the unit or remote controller, when the “main menu” appears on the screen, press -/+ on the unit or V-/V+ on the remote controller to choose the second layer menu to be adjusted, by using the CH-/CH+ on the unit or remote controller to select the item (the selected item character turns red), then use -/+ or V-/V+ again for adjusting the value, press “MENU” key to return to the main menu after finishing adjusting the value and press the MENU button once more to exit the main menu. If you stop operating for 5 or 8 second when you enter the menu , it will exit automatically.

3. CHOOSE LANGUAGE IN THE MENU

Entering the main menu, by using the -/+ on the unit or the V-/V+ on the remote controller to choose the “SETUP”, and use the CH-/CH+ key on the unit or the remote controller to choose “LANGUAGE” in the menu (when the character changes red), then press the -/+ on the unit or V-/V+ on the remote controller for the language you want, Chinese, English, Russian or German.

S	LANGUAGE	ENG
E	BACKGROUND	
T	MODE	FULL
U	UV REV	ON
P	RL REV	ON

4. AUTO-SEARCH SYSTEM AND CHANNEL SELECTION

According to the TV program channel’s sequence, auto-search function is searching and record automatically.

4.1 First press MENU button to enter the main menu , and by using -/+ on the unit or V-/V+ on the remote control to choose the TUNE item, then press CH-/CH+, the character of “AUTO INSTALL” will turn red.

T	C - SYS	AUTO
U	S - SYS	D / K
N	CHANNEL	0
E	AUTO INSTALL	⇒
	SEARCH	

4.2 Secondly, confirm by pressing the -/+ on the unit or the V-/V+ on the remote controller, in this case the TV will search the program according to the TV program channel’s sequence and record automatically. (Remark: while the TV is searching automatically, it is in a mute state)

5. MANUAL SEARCH SYSTEM

The users can store their favorite program channel to their favorite number by using the manual search system, this also can prevent the cross interference.

5.1 Program numbers setup

Press “-/-” key and numbers on the remote controller to set the program number or you can use CH-/CH+ on the unit for the desire numbers, you also can just enter the MENU and choose TUNE item ,then choose the “CHANNEL ” to set up the program numbers with the help of -/+ on the front panel.

T	S - SYS	D / K
U	CHANNEL	0
N	AUTO INSTALL	
E	SEARCH	⇒
	BAND	VHF - L

5.2 Band: Press MENU button to enter the main menu and press “-/+ “ on the unit or V-/V+ on the remote controller for TUNE item. Then press CH-/CH+ to choose the “BAND” until the character of “BAND” turns red, press “-/+” (on the unit) or “V+/V-“(on the remote controller) for the band as you desire (VHF-L, VHF-H or UHF) .

5.3 Manual search: After selecting the BAND, press “CH+” button upwards until character of “SEARCH” turns red, then press either “-” on the unit or V- on the remote controller to search the lower channels ; Or press “+” on the unit or V+ on the remote controller to search the upper channels. The TV will automatically stop searching when there is a TV program, press MENU button for confirmation, you can repeat the operation above to search the programs as you desire..

6. FINE TUNE

The fine tune function is for correcting the week signal and the nonstandard TV signal that may be stored.

6.1 Press MENU button to enter the main menu, and with the help of “-/+” on the front panel or “V-/V+” on the remote control to choose the “TUNE” item.

6.2 Press “CH-/CH+” button to confirm the FINE TUNE(The character of FINE TUNE turns red)

6.3 Press “-” on the unit or V- (on the remote controller) lower limit fine tune and press “+” on the unit or V+(on the remote controller) for the upper limit fine during fine tune process, the relative button should be pressing until the good result received, then release.

6.4 After finishing FINE TUNE, press MENU to exit or use CH-/CH+ for other adjustment.

T U N E	CHANNEL	0
	AUTO INSTALL	
	SEARCH	
	BAND	VHF - L
	FINE TUNE	⇨

for
tune,
kept

7. SKIP

When you feel that there are some repeated TV program or the image and audio founded not good, so you need to skip some program and quick to select, the following steps can be following:

7.1 Use the CH-/CH+ button to choose the channel numbers that you want to skip, or you can just use the “-/-” button on the remote controller to set)

7.2 Press MENU button to enter the main menu , then press -/+ button on the unit or V-/V+ button on the remote controller for TUNE item.

7.3 Press CH-/CH+ button to choose SKIP, the character of SKIP turns red.

7.4 Confirm “ON” by pressing the “-/+” on the unit or V-/V+(on the remote controller). Press MENU button to exit the menu .

T U N E	SEARCH	
	BAND	VHF-H
	FINE TUNE	
	SKIP	
	PG EXCHANGE	

(Remark: Skip function is available only going on choosing the program in sequence by using the program selection button of CH-/CH+)

8. PG EXCHANGE

The program exchange function is for transferring the stored program to your new favorite number.

8.1 Press MENU button to enter the main menu, and press “-/+” on the unit or V-/V+(on the remote controller) for TUNE item., then press CH-/CH+ and let the

PG EXCHANGE turns red.

8.2 Confirm by “-/+” button on the unit or V-/V+ (on the Remote controller), and the screen will appear as the right figure show:

T U N E	SEARCH	
	BAND	
	FINE TUNE	
	SKIP	
	PG EXCHANGE	⇨

8.3 When CHANNEL is red, use CH-/CH+ button to let

the cursor turns red as the picture showed.. Then use the -/+ button or V-/V+(on the remote controller) to set the number to be transferred, and move the cursor to PG EXCHANGE again by the help of CH- /CH + button and confirmed by pressing -/+ or V-/V+ button.

8.4 Press MENU to exit the main menu .

	CHANNEL	9
	⇨	12
	PG EXCHANGE	

9. PROGRAM SELECTION

If you want to select the program when you watch TV, pls operate as the following steps :

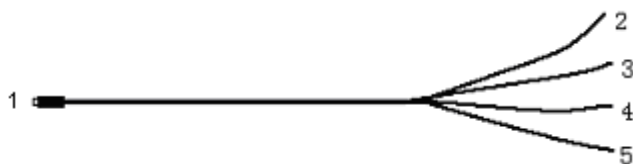
Program selection button CH-/CH+ on the unit or on the remote controller is for installing the program in sequence, the number buttons on the remote controller also can be used.

There are numbers from “0-9” and unit/decimal/percentile(-/-) selection buttons on the remote controller .You can press the -/- selection button to switch the state between unit ,decimal and percentile . (The TV can store 256 TV programs).When you want to input unit number, simply press “0-9” button, if you input decimal number, you can choose program from “0-99”. For instance, for NO. 28 program, just press once “-/-” button and then input “2” and “8”. When you choose input percentile numbers, press“-/-” button twice and then input the numbers (in the percentile position, only 0, 1, and 2 are available, the input of more than 3 will not be available).

Press “-/-“ button again for exit and return to the unit .

10.TV/AV CONVERSION

When the set is used in a monitor system or as display in VCD ,DVD or video casstte recorder , connect the the AV cable enclosed of the set to the A/V input plug . After connecting the AV input plug ,connect the other end of the AV cable to the external input audio & video signal .(see figure 3:Black for the DC 12V power source; Yellow for the Video 1;Red for the Video 2;White is the audio signal input).Then press the “AV” button on the unit or TV/AV button on the remote controller to switch between Video1, Video2 and TV signal. It makes the signal you used to suit for the machine and make you to appreciate the colorful programs.



- 1. AV signal input plug 2. Yellow video 1 input plug 3. Red video 2 input plug
- 4. White audio input plug 5. Black DC12v power input jack

11.CATV RECEPTION

You can adjust the length ,angle, direction of the antenna rod to get the best effect when you receive the TV. If the local signal is poor, you had better use an outdoor antenna or connect your TV set with the CATV. In this case, the small end of the attached CATV signal input cord should be plug into the outdoor ANT jack (at the back panel), the other end connect to the outdoor antenna or CATV signal jacket. (see the figure below)

Figure 4:

12.IMAGE AND VOLUME CONTROL

After switching on, you can adjust the brightness, contrast, color and volume to your favorite.

12.1 Press MENU button to enter the main menu, and press -/+ or V-/V+ (on the remote controller) to choose the VIDEO item.

12.2 Use CH-/CH+ button to choose the one you want to adjust, when the character is red, press -/+ or V-/V+ (on the remote controller) to adjust the object that you desire.

12.3 Repeat the operation as above mentioned, you can adjust the brightness, contrast, color and sharpness.

12.4 Adjusting the volume, you can simply use the button of -/+ or V-/V+, or entering the main menu , you can adjust the volume directly at the mode of “VOLUME”.

SET UP OF DISPLAY STATE

Entering the main MENU, choose set up item by -/+ or V-/V+, then adjust each state as below:

1. Screen background (blue screen)set up: press CH-/CH+ button to choose the BACKGROUND and the characters of BACKGROUND turns red, then press -/+ or V-/V+ button to choose “ON”. (When there is no signal, the background is blue colour).

S	LANGUAGE	ENG/CHIN
E	BACKGROUND	ON
T	MODE	1
U	UV REV	ON
P	RL REV	OFF

2. Press CH-/CH+ button to choose “MODE” so that you can adjust the display state of screen size. Press -/+ or

V-/V+(on the remote controller), when you select “1”, the display state is 16:9 and if you choose “2”, it is 4:3 and choose “3” is 16:9 in full screen display.

Press “WIDE” key on the remote controller ,you can switch the image display between 16:9 and 4:3 promptly .

- When the TV is being placed at the flat position, the image will automatically overturn .The function of “UV REV” in the menu is no use. You also can use CH-/CH+ to choose “RL REV”, then press -/+ on the unit or V-/V+ on the remote controller to control the image of “Left and Right Reverse”.

Attention: some of the models don't have the function :the image will automatically overturn when the TV is being placed at the flat position. When you need to reverse the image up and down ,you have to operate it in the menu.

PERPETUAL CALENDAR:

The set has the function of perpetual calendar, choosing the SET UP item in the main MENU, press -/+ on the unit or V-/V+ on the remote controller to enter the “SETUP” menu, then pressing CH-/CH+ for calendar, and then confirm by pressing the -/+ on the unit or V-/V+(on the remote controller), the TV will be in the state of Perpetual calendar , at this time, press CH-/CH+ for year selection and press -/+ or V-/V+ for month selection . Press MENU to exit the function.

S	MODE	FULL
E	UV REV	ON
T	RL REV	OFF
U	CALENDAR	
P	GAME	

TIMING FUNCTION

The TV has the function of TIMER OFF and TIMER ON , at the TIMER ON position, you can prearrange the certain channel that you want to switch on, operation as below:

- First press MENU button to enter the main menu and then the -/+ or V-/V+(on the remote controller) for TIMER item.
- Press CH-/CH+ button, when the CLOCK turns red and set the time by using the button of -/+ or V-/V+ (24 hours system)
- After setting up the present time, choose ON or OFF by pressing CH-/CH+ button, then using -/+ or V-/V+ to set up the relative time.(timer on and timer off are 24 hours system)
- If you set up TIMER ON, using CH-/CH+ to choose the prearranged channel and input the channel that you want to prearrange..(Remark: the TV should be at the standby state so that the function of channel prearranged can be applied)

T	CLOCK	--:--
I	OFF	--:--
M	ON	--:--
E	POS.	---
R		

GAME

The machine has the game of ‘PUSHING BOX’. After entering the state of GAME ,Press the TV /AV button to select the level of the game . There are 25 game levels for selection .In order to make the character to move, press CH+ button to move upwards, press CH- button to move downwards, VOL- to turn left ,VOL+ to turn right .Press MENU to return the original state of this level. Press MUTE to exit the game .It will make the machine to exit the working state of before entering the GAME function.

MAIN CHARACTERISTICS	
MODEL	CL9918T
DISPLAY SCREEN	TFT 204mm(9”) 336960 pixels
COLOR SYSTEM	PAL;NTSC; SECAM (optional)
RECEIVING CHANNEL	VHF1-12;UHF 13-56;CATV(with supplemental channel)
AUDIO OUTPUT	100mV
INPUT VOLTAGE	DC 11-13V POWER CONSUMPTION: ≤13W
SIZE	232(L)X148(W)X32(H) mm
WEIGHT	620g

ACCESSORIES

Remote controller	1 piece
A/V cable	1 piece
DC 12V AC Adapter	1 piece
Car power cord	1 piece
Automotive bracket	1 piece
Operation manual	1 piece

ADDITIONAL FUNCTION

The set has the special function of image up and down reverse ,left and right reverse ; Double Video input ; 16:9 & 4:3 image display changeable . The set has the earphone jack to receive the program without interruption.

TROUBLESHOOTING

Make sure to the following simple checks when you come across the trouble:

Case(condition)	Possible causes	Countermeasures
No picture and sound After the power is on	1. Check power connection 2. Misuse the pole.	1.Check power input. 2.Correct the pole
Snowy and unclear picture, or noisy sound.	1.Serial connection 2.Signal input wire open. 3. Poor local signal 4. Not proper tuning	1.Check antenna input, change into outdoor aerial or TV cable. 2.Change another frequency or perform fine tuning

Level rolling picture, shaking of the tuning line.	1.Input voltages lower than 11v or city voltages lower than AC 200V 2.NOt enough adapter output	1.Adjust the input power voltage to required range. 2.Change adapter.
No clear image, shaky picture and multiple Figure.	Poor signal or no proper antenna length & angle.	Change into outdoor aerial and readjust or had better use CATV.
Black & white picture, strong contrast.	Color saturation, contrast and brightness not proper.	Readjust.
Interference with net shape	Electrical appliances Cars/Motorcycles, Radiophone	Improve the receiving condition.